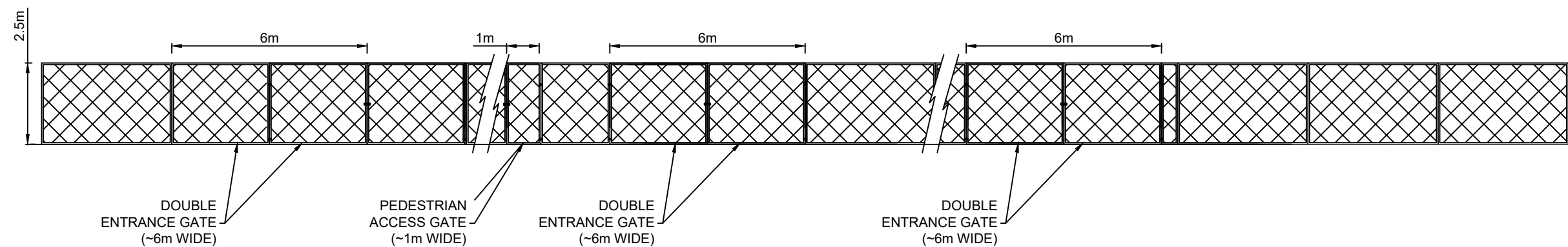


**HILL OF FARE  
WIND FARM**

**FIGURE 2.12b**

**TEMPORARY CONSTRUCTION  
COMPOUND ELEVATION**



LAYOUT DWG	N/A	T-LAYOUT NO.	N/A
------------	-----	--------------	-----

DRAWING NUMBER	04542-RES-BLD-DR-CO-002	REV	1
----------------	-------------------------	-----	---

SCALE - AS SHOWN @ A3

**ENVIRONMENTAL IMPACT  
ASSESSMENT REPORT 2023**

THIS DRAWING IS THE PROPERTY OF RENEWABLE ENERGY SYSTEMS LTD. AND NO REPRODUCTION MAY BE MADE IN WHOLE OR IN PART WITHOUT PERMISSION